



▲ Contemporary overhead projector table with two flexible shelves.

Features

- Solid OHP table with two shelves.
- Height adjustable shelves.
- Suitable for all contemporary OHP projectors.
- Four casters make moving easy.

Options

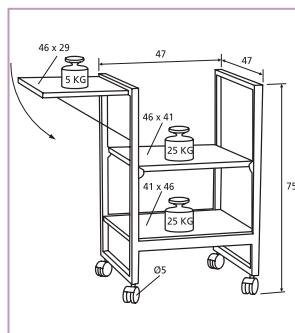
- ▶ White frame with light grey shelves.

Accessories

- ▶ Extra middle shelf, height adjustable.
11820004 light grey
- ▶ Extra side shelf.
11820003 light grey

Technical characteristics

- ▶ Sturdy steel frame, powder coated in white (RAL 9016).
- ▶ Stylish easy-to-clean shelves in light grey (RAL 7035).
- ▶ Easy to assemble.



| Type | White frame & light grey shelves product code | Net weight in kg |
|---------------|---|------------------|
| Universo 1000 | 11200030 | 11 |



▲ Height adjustable overhead projector table with two shelves with unprecedented load bearing capacity and stability.

Features

- Durable construction with steel frame around the shelves.
- Table is height adjustable for ideal working posture.
- A fixed lower shelf and a removable upper shelf for portable OHP projector.
- High load bearing capacity is suitable for all OHP projector types.
- Large wheels provide easy mobility.

Options

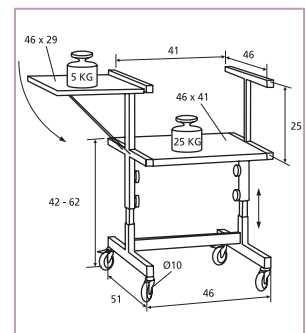
- ▶ White frame with light grey shelves.

Accessories

- ▶ Extra side shelf.
11800003 light grey

Technical characteristics

- ▶ Sturdy steel frame, powder coated in white (RAL 9016).
- ▶ Stylish easy-to-clean shelves in light grey (RAL 7035).
- ▶ Large wheels Ø10cm, of which 2 lock.
- ▶ Easy to assemble.



| Type | White frame & light grey shelves product code | Net weight in kg |
|---------------|---|------------------|
| Classico 1500 | 11200006 | 15 |