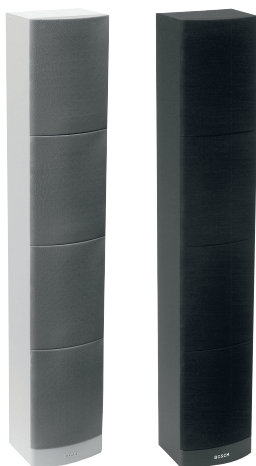




# LA1-UW24-x Column Loudspeakers



- ▶ **Good speech intelligibility and background music reproduction**
- ▶ **For applications where directivity is important**
- ▶ **High sensitivity**
- ▶ **Swivel wall-mounting bracket supplied as standard**
- ▶ **Available in black or white**
- ▶ **MDF construction**
- ▶ **Complies with international installation and safety regulations**

The LA1-UW24-x is a 24 W, general-purpose, cost-effective column loudspeaker for indoor use where beaming is desirable, such as places of worship, congress venues, meeting rooms, and canteens. A swivel wall-mounting bracket is supplied as standard. The column loudspeaker is available in black and white.

leading to higher customer satisfaction, longer operating life, and much less chance of failure or performance deterioration.

## Functions

The robust, solid MDF (Medium Density Fiber board) enclosures are covered with a durable, easy-to-clean vinyl in a choice of black or white. The ABS fronts are covered with fine woven cloth in matching color.

These powerful column loudspeakers are fitted with four dual-cone, high-sensitivity, loudspeaker drivers.

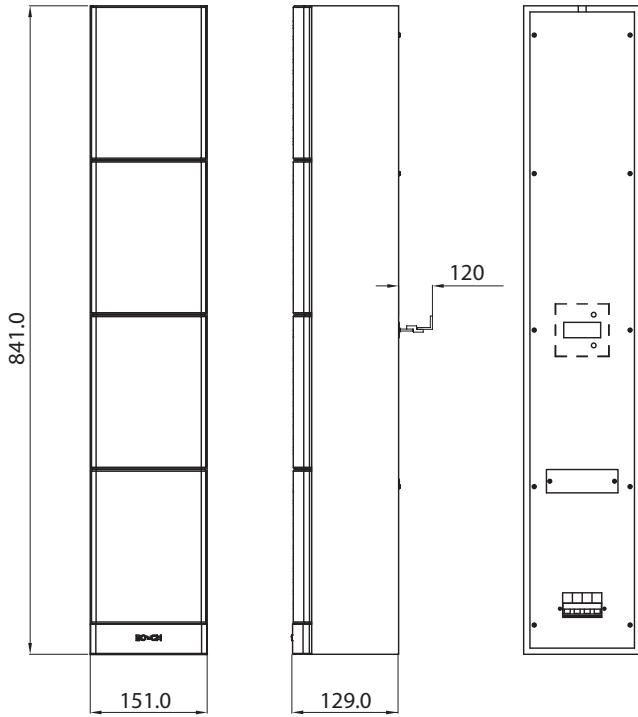
## Certifications and Approvals

All Bosch loudspeakers are designed to withstand operating at their rated power for 100 hours in accordance with IEC 268-5 Power Handling Capacity (PHC) standards. Bosch has also developed the Simulated Acoustical Feedback Exposure (SAFE) test to demonstrate that they can withstand two times their rated power for short durations. This ensures extra reliability under extreme conditions,

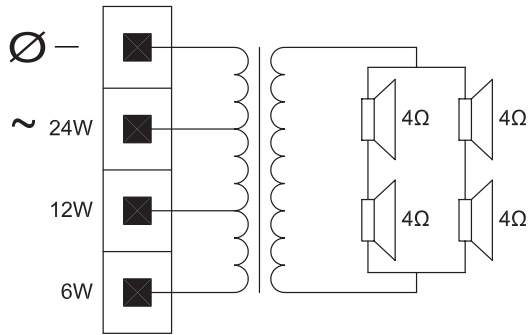
Region	Certification	
Europe	CE	Declaration of Conformity
Safety	acc. to EN 60065	

## Installation/Configuration Notes

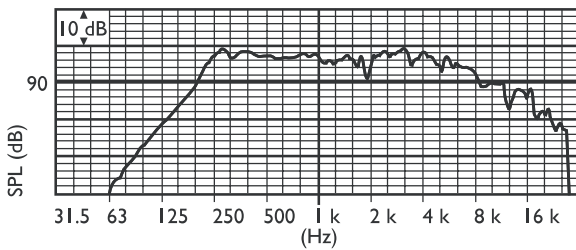
The column loudspeakers can be wall mounted using the supplied swivel bracket, allowing accurate positioning. A convenient, easy-to-use, four-pole push-in terminal block is present on the rear panel for on-site wiring. This terminal block has provision for power tapping on the 100 V, matching transformer in the cabinet. It allows selection of nominal full-power, half-power or quarter-power radiation (in 3 dB steps).



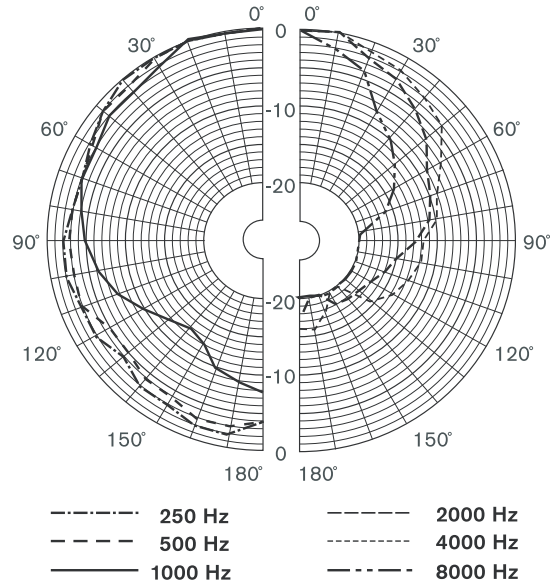
Dimensions in mm



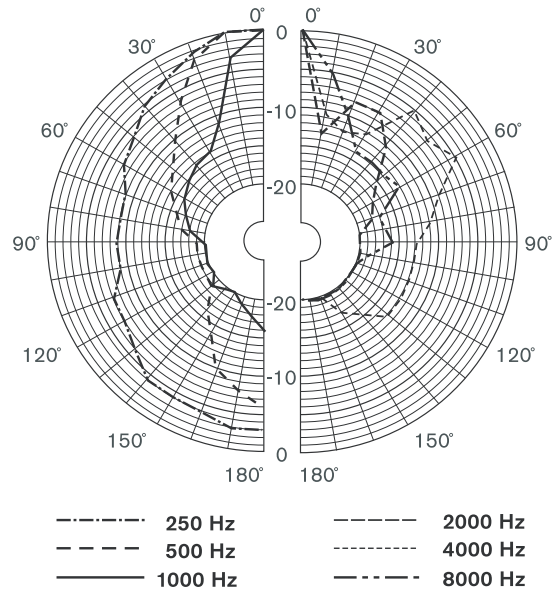
Circuit diagram



Frequency response



Polar diagram horizontal (measured with pink noise)



Polar diagram vertical (measured with pink noise)

### Parts Included

Quantity	Component
1	LA1-UW24-x Column Loudspeaker
1	Swivel wall mounting bracket

## Technical Specifications

### Electrical\*

Maximum power	36 W
Rated power	24 / 12 / 6 W
Sound pressure level at 24 W / 1 W (1 kHz, 1 m)	110 dB / 96 dB (SPL)
Effective frequency range (-10 dB)	165 Hz to 16 kHz
Opening angle	1 kHz / 4 kHz (-6 dB)
horizontal	190° / 88°
vertical	30° / 8°
Rated input voltage	100 V
Rated impedance	417 ohm
Connector	4-pole push-in terminal block

\* Technical performance data acc. to IEC 60268-5

### Mechanical

Dimensions (H x W x D)	841x 151 x 129 mm (33.1 x 5.9 x 5.1 in)
Weight	5.5 kg ( 12.1 lb)
Color	Black (D) or white (L)
cabinet / cloth (D)	Matches RAL 9004 / RAL 9004
cabinet / cloth (L)	Matches RAL 9010 / RAL 7044

### Environmental

Operating temperature	-25 °C to +55°C (-13 °F to +131 °F)
Storage temperature	-40 °C to +70 °C (-40 °F to +158 °F)
Relative humidity	<95%

## Ordering Information

<b>LA1-UW24-D Column Loudspeaker</b> 24 W, black	<b>LA1-UW24-D</b>
<b>LA1-UW24-L Column Loudspeaker</b> 24 W, white	<b>LA1-UW24-L</b>

**Americas:**

Bosch Communications Systems  
12000 Portland Avenue South  
Burnsville, Minnesota, 55337, USA  
Phone: +1-800-392-3497  
Fax: +1-800-955-6831  
audiosupport@us.bosch.com  
www.boschcommunications.us

**Europe, Middle East, Africa:**

Bosch Security Systems B.V.  
P.O. Box 80002  
5600 JB Eindhoven, The Netherlands  
Phone: +31 40 2577 284  
Fax: +31 40 2577 330  
emea.securitysystems@bosch.com  
www.boschsecurity.com

**Asia-Pacific:**

Bosch Security Systems Pte Ltd  
38C Jalan Pemimpin  
Singapore 577180  
Phone: +65 6319 3450  
Fax: +65 6319 3499  
apr.securitysystems@bosch.com  
www.boschsecurity.com

**Represented by**