



BOSCH

Invented for life

LB1-UM06E Metal Cabinet Loudspeaker



- ▶ Suitable for speech and music reproduction
- ▶ Robust metal enclosure
- ▶ Surface and/or recessed mounting
- ▶ Provision for internal mounting of the optional line/loudspeaker supervision boards
- ▶ Recommended for voice evacuation systems
- ▶ Compliant with international installation and safety regulations
- ▶ BS 5839-8 and EN 60849 compliant

The LB1-UM06E circular metal cabinet EVAC loudspeaker delivers professional performance from a robust, yet aesthetically designed metal enclosure. It is an ideal loudspeaker for indoor use in offices, schools, car parks, shopping centers, and in areas where vandalism is a potential hazard.

Functions

Voice alarm

Voice alarm loudspeakers are specifically designed for use in buildings, where the performance of PA systems is subject to official regulations. The LB1-UM06E is designed for voice alarm systems, and is compliant with British Standard BS 5839-8 and EN 60849.

Protection

The loudspeaker has built-in protection to ensure that in the event of a fire damage does not cause failure of the connected circuit. In this way, system integrity is maintained, ensuring loudspeakers in other areas can still be used to inform people of the situation.

Connections and safety

The loudspeaker has a ceramic terminal block, thermal fuse, and heat-resistant, high-temperature wiring. The cabinet has a provision for internally mounting the optional line/loudspeaker supervision board.

Certifications and Approvals

All Bosch loudspeakers are designed to withstand operating at their rated power for 100 hours in accordance with IEC 268-5 Power Handling Capacity (PHC) standards. Bosch has also developed the Simulated Acoustical Feedback Exposure (SAFE) test to demonstrate that the speakers can withstand two times their rated power for short durations. This ensures extra reliability under extreme conditions, leading to greater customer satisfaction, longer operating life, and much less chance of failure or performance deterioration.

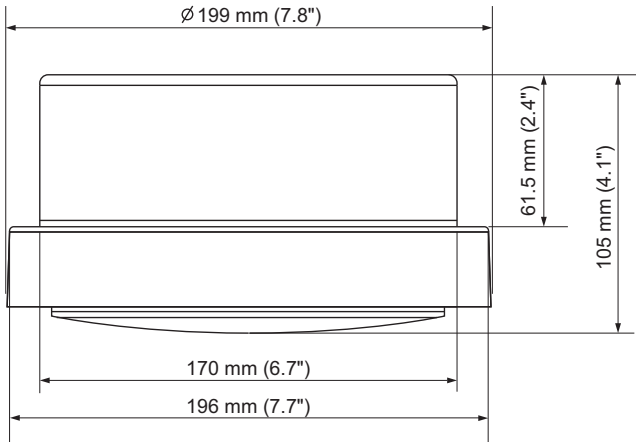
Safety	acc. to EN 60065
EVAC	acc. to BS 5839-8
	acc. to EN 60849

Installation/Configuration Notes

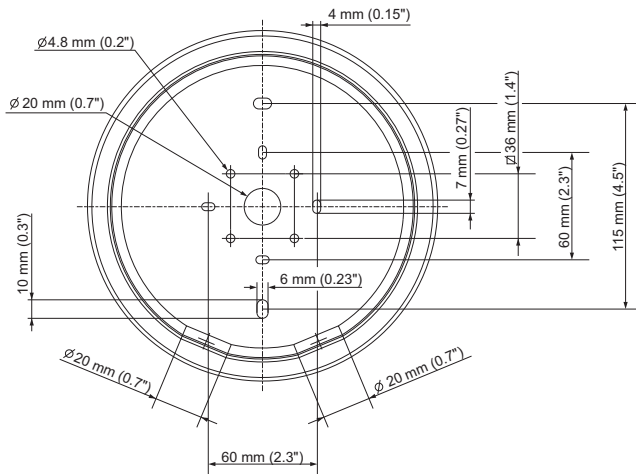
The cabinet is designed for both surface and recessed mounting on walls. The back box provides a selection of mounting holes, even for mounting on U40 and MK installation boxes. The back box has two knockout holes on the topside for two cable glands (not included) for loop-through connection. For extra installation convenience, a safety cord from the back box lets the installer temporarily hang the front grille unit during installation.

The cabinet has a three-way terminal block with screw connections suitable for loop-through wiring (including earth).

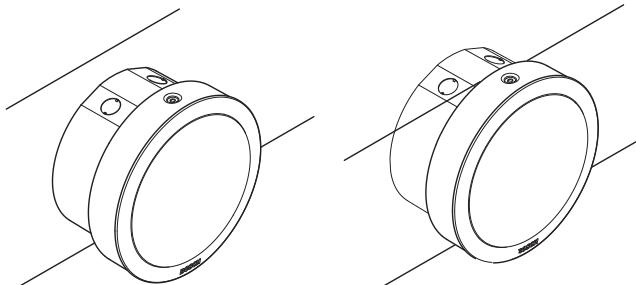
Four primary taps on the matching transformer allow selection of nominal full-power, half-power, quarter-power or eighth power radiation (in 3 dB steps).



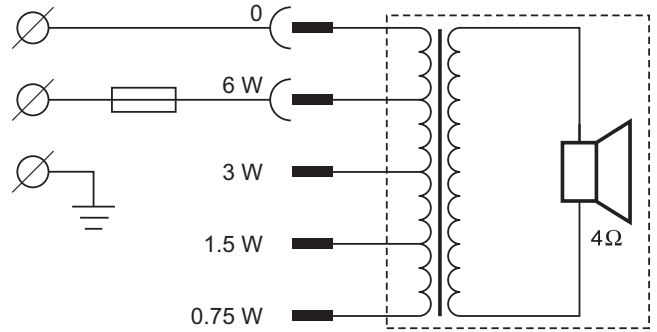
Dimensions in mm (in)



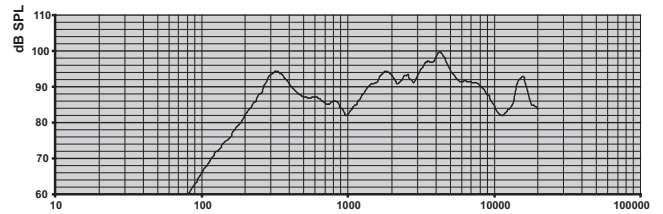
Back / Installation dimensions in mm (in)



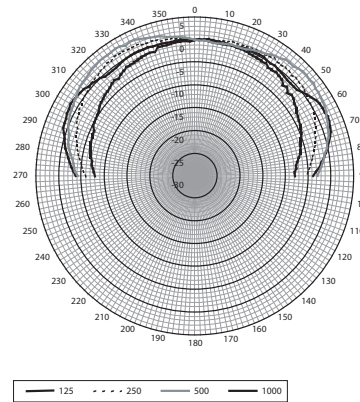
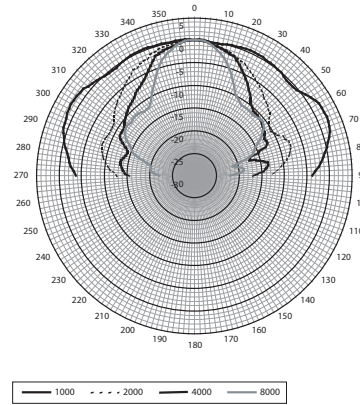
Surface mounted (left) and recessed mounted (right)



Circuit diagram



Frequency response



Polar diagrams (measured with pink noise)

Octave band sensitivity*			
	Octave SPL 1W/m	Total octave SPL 1W/m	Total octave SPL Pmax/m
125 Hz	73.3	-	-
250 Hz	90.4	-	-
500 Hz	89.0	-	-
1000 Hz	86.0	-	-
2000 Hz	92.4	-	-
4000 Hz	96.6	-	-
8000 Hz	89.9	-	-
A-weighted	-	89.9	96.8
Lin-weighted	-	90.1	96.0

Octave band opening angles		
	Horizontal	Vertical
125 Hz	180	180
250 Hz	180	180
500 Hz	180	180
1000 Hz	180	180
2000 Hz	80	80
4000 Hz	56	56
8000 Hz	40	40

Acoustical performance specified per octave

* (all measurements are done with a pink noise signal; the values are in dBSPL)

Parts Included

Quantity	Components
1	LB1-UM06E
1	Installation instruction

Technical Specifications

Electrical*

Maximum power	9 W
Rated power (PHC)	6 W
Power tapping	6 / 3 / 1.5 / 0.75 W
Sound pressure level at 6 W / 1 W (1 kHz, 1 m)	94 / 86 dB (SPL)
Effective frequency range (-10 dB)	160 Hz to 20 kHz
Opening angle at 1 kHz / 4 kHz (-6 dB)	180° / 56°
Rated input voltage	100 V

Rated impedance	1667 ohm
Connector	3-pole screw block

* Technical performance data acc. to IEC 60268-5

Mechanical

Dimensions (W x D)	199 x 105 mm (7.8 x 4.1 in)
Weight	1.23 kg (2.71 lb)
Color	White (RAL 9010)
Material (back box and grille)	Steel
Speaker size	152.4 mm (6 in)
Magnet weight	53 g (1.9 oz)
Connector	3-pole screw

Environmental

Operating temperature	-25 °C to +55 °C (-13 °F to +131 °F)
Storage temperature	-40 °C to +70 °C (-40 °F to +158 °F)
Relative humidity	<95%

Ordering Information

LB1-UM06E Metal Cabinet Loudspeaker
6 W

LB1-UM06E

Americas:

Bosch Communications Systems
12000 Portland Avenue South
Burnsville, Minnesota, 55337, USA
Phone: +1-800-392-3497
Fax: +1-800-955-6831
audiosupport@us.bosch.com
www.boschcommunications.us

Europe, Middle East, Africa:

Bosch Security Systems B.V.
P.O. Box 80002
5600 JB Eindhoven, The Netherlands
Phone: +31 40 2577 284
Fax: +31 40 2577 330
emea.securitysystems@bosch.com
www.boschsecurity.com

Asia-Pacific:

Bosch Security Systems Pte Ltd
38C Jalan Pemimpin
Singapore 577180
Phone: +65 6319 3450
Fax: +65 6319 3499
apr.securitysystems@bosch.com
www.boschsecurity.com

Represented by