



LBC 341x/01 Cabinet Loudspeakers



- ▶ High-fidelity music and speech reproduction
- ▶ Extended frequency range
- ▶ Selectable 8 ohm and 100 V inputs
- ▶ Compact yet robust enclosure
- ▶ Perforated metal grille
- ▶ Supplied with adjustable wall-mounting bracket
- ▶ Horizontal and vertical mounting
- ▶ Complies with international installation and safety regulations

Bosch loudspeakers offer a combination of quality, performance and innovation in public address. They are the result of over half a century’s experience in professional audio, and meet virtually all sound reinforcement system requirements.

Bosch Cabinet loudspeakers deliver professional performance from a compact robust enclosure. They have been developed to meet the increasing demands for high-quality background music reproduction in indoor applications.

Functions

The range comprises two models, offering a choice of 10 W or 25 W power handling capacity. The compact enclosures are made from tough ABS material which guarantees excellent bass response. The solid construction and appealing design is augmented by a perforated metal grille, which covers the front of the enclosure.

The LBC 3410/01 is a 10 W loudspeaker cabinet. It is fitted with two loudspeakers, a high-frequency tweeter and a low-frequency woofer with dual voice coil, coupled using appropriate L-C filters.

The LBC 3411/01 loudspeaker cabinet delivers 25 W and is similar in construction to the lower power model, but has larger loudspeakers, and is housed in a larger enclosure.

Certifications and Approvals

All Bosch loudspeakers are designed to withstand operating at their rated power for 100 hours in accordance with IEC 268-5 Power Handling Capacity (PHC) standards. Bosch has also developed the Simulated Acoustical Feedback Exposure (SAFE) test to demonstrate that they can withstand two times their rated power for short durations. This ensures extra reliability under extreme conditions, leading to higher customer satisfaction, longer operating life, and much less chance of failure or performance deterioration.

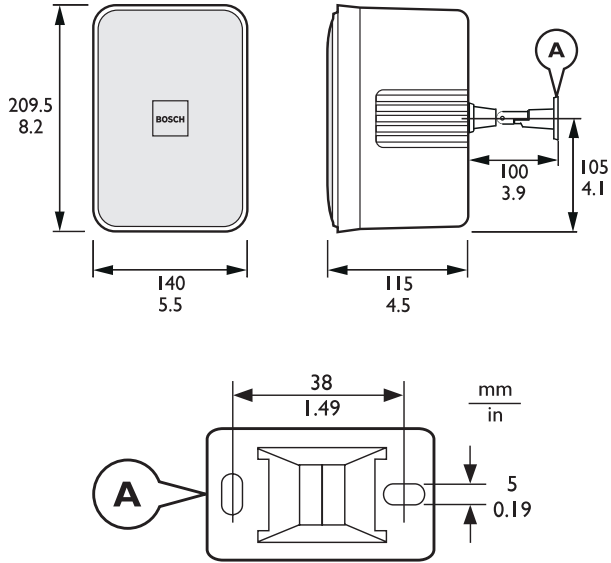
Region	Certification
Europe	CE Declaration of Conformity
Safety	acc. to EN 60065
Self-extinguishing	acc. to UL 94 V0

Installation/Configuration Notes

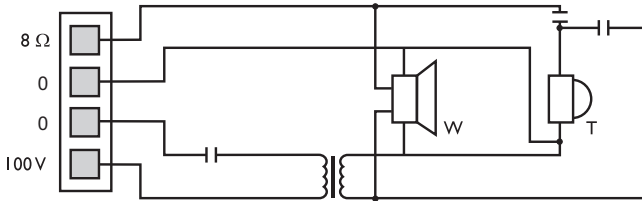
The cabinets can be mounted horizontally and/or vertically and are fitted with a rotatory logo. For wall mounting the loudspeakers, a sturdy mounting bracket is provided with two lockable swivel joints to allow the sound to be easily directed. The bracket is fitted to the rear of the enclosure, and is adjustable in two perpendicular planes.

All models are supplied with a built-in 100 V line transformer and an separate 8 ohm connection (bypassing the line transformer). The loudspeakers can be connected for either 100 V or low-ohmic supply by means of a 4-pole push-in connector at the back of the enclosure.

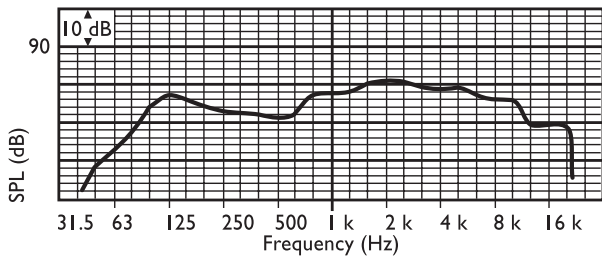
LBC 3410/01



Dimensions in mm (in)



Circuit diagram

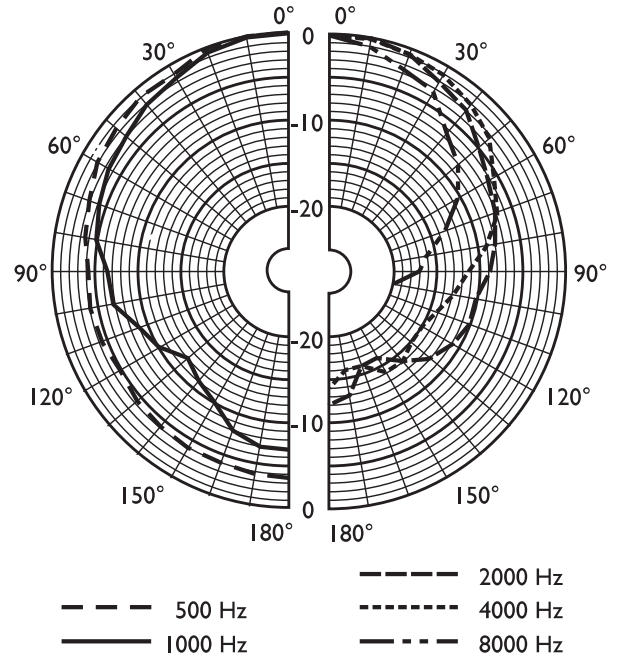


Frequency response

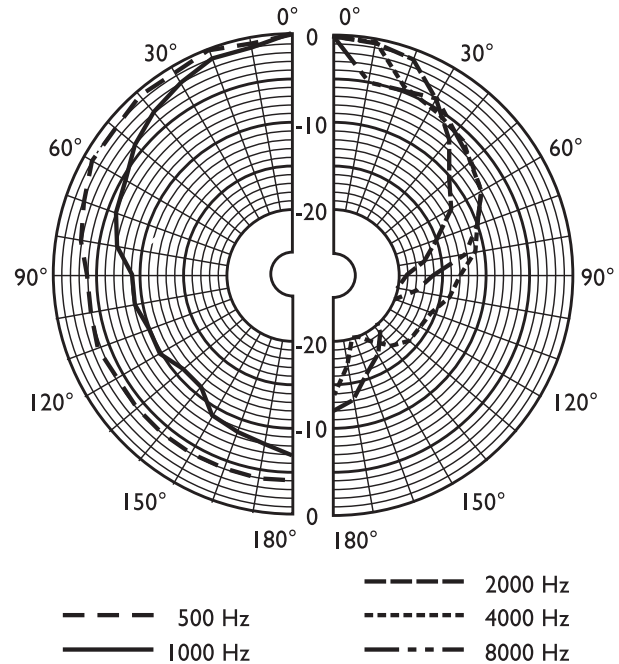
	125 Hz	250 Hz	500 Hz	1 kHz	2 kHz	4 kHz	8 kHz
SPL 1.1	84	81	81	86	88	87	84
SPL max.	94	91	91	96	98	97	94
Q-factor	1.1	1.1	1.8	3.6	6.5	6	10
Efficiency	0.28	0.13	0.09	0.14	0.12	0.1	0.03

	125 Hz	250 Hz	500 Hz	1 kHz	2 kHz	4 kHz	8 kHz
H. angle	360	360	360	170	120	130	80
V. angle	360	360	360	140	70	90	80

Acoustical performance specified per octave

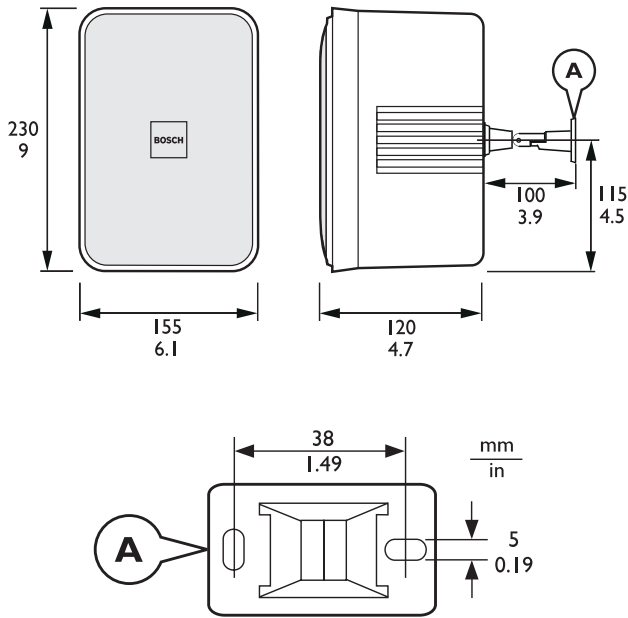


Polar diagram horizontal (measured with pink noise)

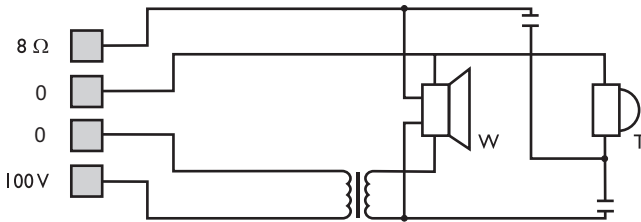


Polar diagram vertical (measured with pink noise)

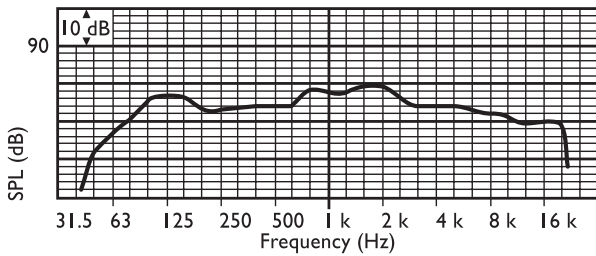
LBC 3411/01



Dimensions in mm (in)



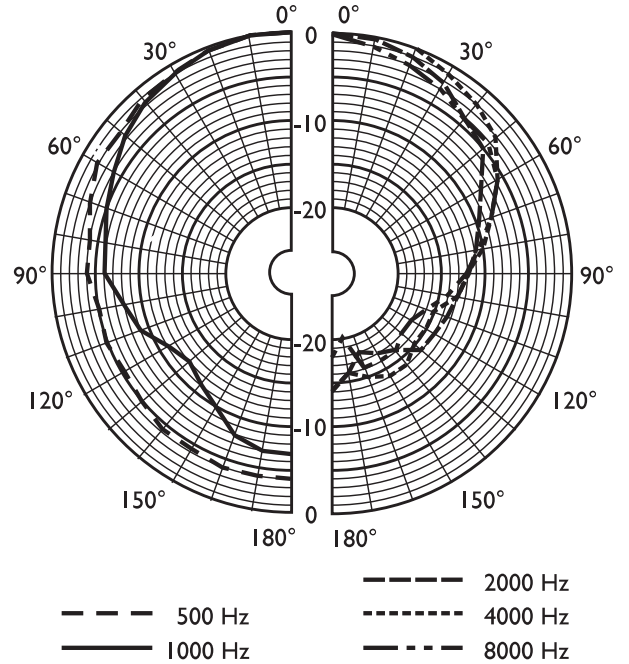
Circuit diagram



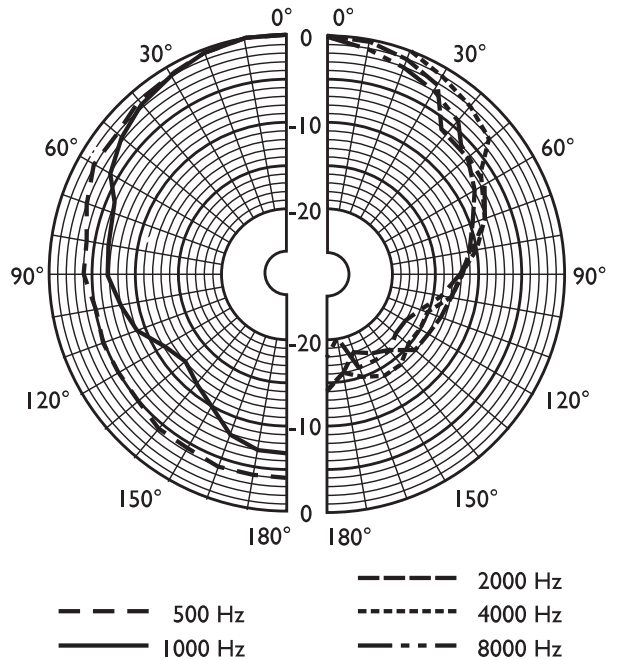
Frequency response

	125 Hz	250 Hz	500 Hz	1 kHz	2 kHz	4 kHz	8 kHz
SPL 1.1	85	83	84	88	89	84	83
SPL max.	99	97	98	102	103	98	97
Q-factor	1.1	1.3	2.2	3.6	7.8	6.5	7.8
Efficiency	0.35	0.19	0.14	0.22	0.13	0.05	0.03
H. angle	360	360	360	180	110	120	120
V. angle	360	360	360	130	75	110	90

Acoustical performance specified per octave



Polar diagram horizontal (measured with pink noise)



Polar diagram vertical (measured with pink noise)

Parts Included

Quantity Component

1	LBC 341x/01 Cabinet Loudspeaker
1	Wall mounting bracket

Technical Specifications

Electrical*

Product	LBC 3410/01	LBC 3411/01
Maximum power	15 W	40 W
Rated power	10 W	25 W
SPL at 10 W / 1 W (1 kHz, 1 m)	96 dB / 86 dB (SPL)	102 dB / 88 dB (SPL)
Opening angle	1 kHz / 4 kHz (-6 dB)	1 kHz / 4 kHz (-6 dB)
horizontal	170° / 130°	180° / 120°
vertical	140° / 90°	130° / 110°
Effective frequency range (-10 dB)	110 Hz to 20 kHz	100 Hz to 20 kHz
Rated voltage	100 V / 8.8 V	100 V / 14.1 V
Rated impedance	1000 / 8 ohm	400 / 8 ohm
Connector	4-pole push-in	4-pole push-in

* Technical performance data acc. to IEC 60268-5

Mechanical

Product	LBC 3410/01	LBC 3411/01
Dimensions (H x W x D)	209.5 x 140 x 121.5 mm (8.2 x 5.5 x 4.8 in)	230 x 155 x 126.5 mm (9.1 x 6.1 x 5 in)
Speaker diameters	1" and 4.5"	1" and 5"
Weight	2.1 kg (4.6 lb)	2.6 kg (5.7 lb)
Color	White (RAL 9010)	White (RAL 9010)
Magnet weights	3.5 oz and 8 oz	3.5 oz and 10 oz

Environmental

Operating temperature	-25 °C to +55 °C (-13 °F to +131 °F)
Storage temperature	-40 °C to +70 °C (-40 °F to +158 °F)
Relative humidity	<95%

Ordering Information

LBC 3410/01 Cabinet Loudspeaker, 10 W **LBC3410/01**
ABS, for indoor use

LBC 3411/01 Cabinet Loudspeaker, 25 W **LBC3411/01**
ABS, for indoor use

Americas:
Bosch Communications Systems
12000 Portland Avenue South
Burnsville, Minnesota, 55337, USA
Phone: +1-800-392-3497
Fax: +1-800-955-6831
audiosupport@us.bosch.com
www.boschcommunications.us

Europe, Middle East, Africa:
Bosch Security Systems B.V.
P.O. Box 80002
5600 JB Eindhoven, The Netherlands
Phone: +31 40 2577 284
Fax: +31 40 2577 330
emea.securitysystems@bosch.com
www.boschsecurity.com

Asia-Pacific:
Bosch Security Systems Pte Ltd
38C Jalan Pemimpin
Singapore 577180
Phone: +65 6319 3450
Fax: +65 6319 3499
apr.securitysystems@bosch.com
www.boschsecurity.com

Represented by