



# LHM 0606/10 Ceiling Loudspeaker



- ▶ Suitable for speech and music reproduction
- ▶ Flush-mounting in ceiling cavity
- ▶ Easy to install
- ▶ Simple power setting
- ▶ Unobtrusive in virtually all interiors
- ▶ Complies with international installation and safety regulations

The LHM 0606/10 is a general purpose, 6 W, cost-effective ceiling loudspeaker. It is clamp mounted into the ceiling. An optional fire dome is available.

## Functions

An economic flushing-mounting ceiling loudspeaker is available for general purpose applications. This full range loudspeaker is suitable for both speech and music reproduction in shops, department stores, schools, offices, sports halls, hotels and restaurants.

The speaker assembly consists of a single-piece, 6W dual cone loudspeaker and frame, with a 100 V, matching transformer mounted on the back. A circular metal grille is an integrated part of the front. The appearance and neutral white color has been selected to be unobtrusive in virtually all interiors.

## Certifications and Approvals

All Bosch loudspeakers are designed to withstand operating at their rated power for 100 hours in accordance with IEC 268-5 Power Handling Capacity (PHC) standards. Bosch has also developed the Simulated Acoustical Feedback Exposure (SAFE) test to demonstrate that they can withstand two times their rated power for short

durations. This ensures extra reliability under extreme conditions, leading to higher customer satisfaction, longer operating life, and much less chance of failure or performance deterioration.

Region	Certification	
Europe	CE	Declaration of Conformity
Safety	acc. to EN 60065	

## Installation/Configuration Notes

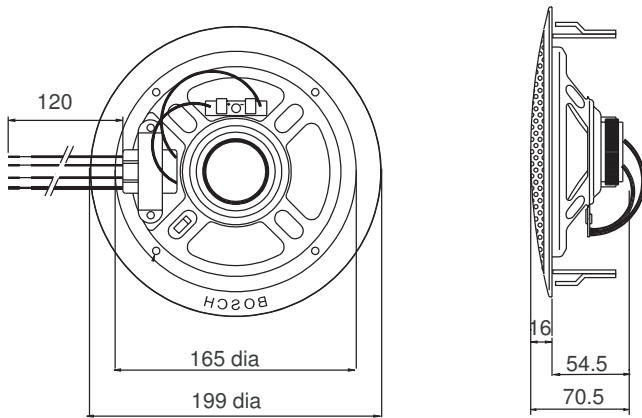
### Mounting

The assembly is simply and quickly installed into a hole in the ceiling cavity. It is secured by two integral spring-loaded ceiling locking clamps. A circular template for marking a 165 mm diameter hole is included with the loudspeaker.

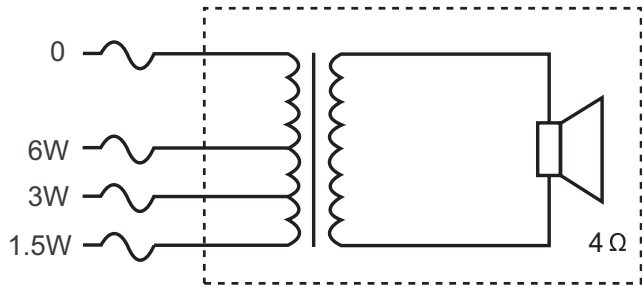
Three lead wires on the matching transformer (primary) provide selection of nominal full-power, half-power or quarter-power radiation.

**Fire dome**

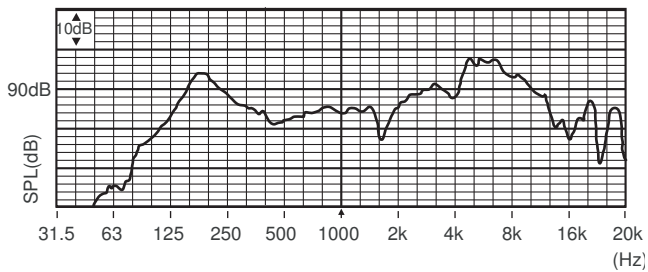
During a fire, the ceiling cavity in which loudspeakers are installed can allow flames to spread throughout a building. To prevent fire entering the cavity via the loudspeaker, the ceiling loudspeaker can be fitted with a protective steel fire dome (LBC 3080/01). This optional fire dome is mounted on the loudspeaker assembly using four self-tapping screws, supplied as standard. There are four knock-out holes; two (2) for rubber grommets (supplied) and two (2) for cable glands. (PG13).



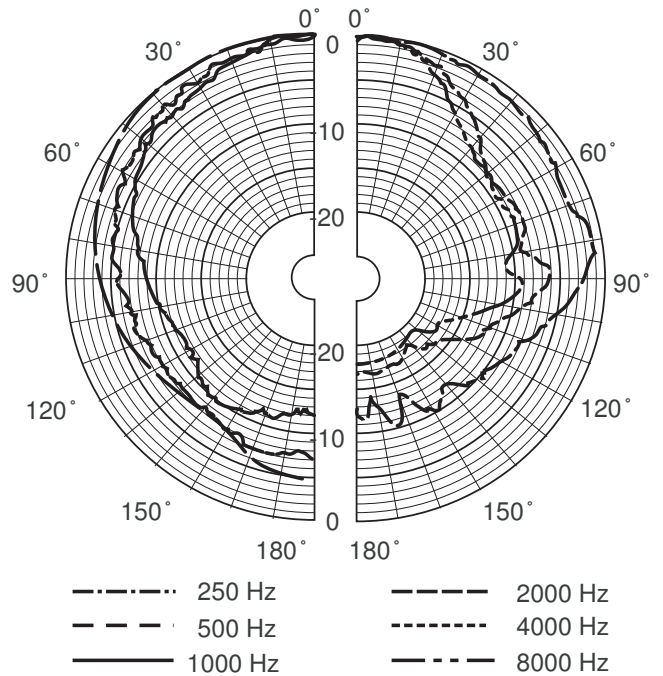
Dimensions in mm



Circuit diagram



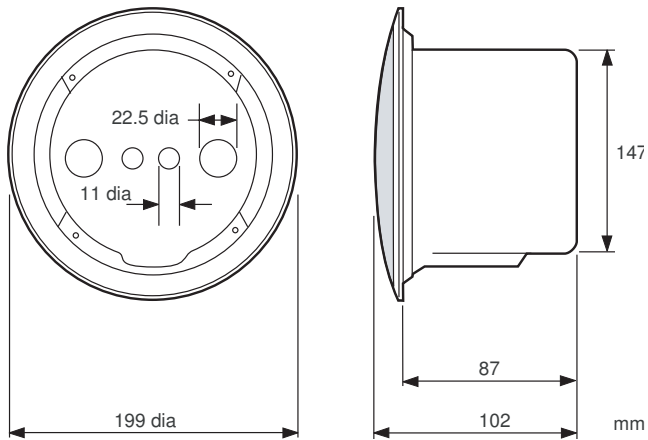
Frequency response



Polar diagram (measured with pink noise)

**LBC 3080/01 Fire Dome (optional)**





LHM 0606/10 + LBC 3080/01 Fire dome assembly dimensions in mm

### Ordering Information

<b>LHM 0606/10 Ceiling Loudspeaker</b> 6 W, cost-effective ceiling loudspeaker.	<b>LHM0606/10</b>
--	-------------------

### Accessories

<b>LBC 1256/00 EVAC Connection Adapter</b> 3-pole screw connector, 100 pieces	<b>LBC1256/00</b>
--	-------------------

### Technical Specifications

#### Electrical

Maximum power	9 W
Rated power	6 / 3 / 1.5 W
Sound pressure level at 6 W / 1 W (1 kHz, 1 m)	94 dB / 86 dB (SPL)
Effective frequency range (-10 dB)	80 Hz to 18 kHz
Opening angle at 1 kHz/4 kHz (-6 dB)	175° / 55°
Rated voltage	100 V
Rated impedance	1667 ohm
Connector	Flying leads

#### Mechanical

Diameter	199 mm (7.8 in)
Maximum depth	70.5 mm (2.8 in)
Mounting cut-out	165 + 5 mm (6.5 + 0.20 in)
Speaker diameter	152.4 mm (6 in)
Weight	620 g (1.37 lb)
Color	Off-white (RAL 9010)

#### Environmental

Operating temperature	-25 °C to +55 °C (-13 °F to +131 °F)
Storage temperature	-40 °C to +70 °C (-40 °F to +158 °F)
Relative humidity	<95%

**Americas:**

Bosch Communications Systems  
12000 Portland Avenue South  
Burnsville, Minnesota, 55337, USA  
Phone: +1-800-392-3497  
Fax: +1-800-955-6831  
audiosupport@us.bosch.com  
www.boschcommunications.us

**Europe, Middle East, Africa:**

Bosch Security Systems B.V.  
P.O. Box 80002  
5600 JB Eindhoven, The Netherlands  
Phone: +31 40 2577 284  
Fax: +31 40 2577 330  
emea.securitysystems@bosch.com  
www.boschsecurity.com

**Asia-Pacific:**

Bosch Security Systems Pte Ltd  
38C Jalan Pemimpin  
Singapore 577180  
Phone: +65 6319 3450  
Fax: +65 6319 3499  
apr.securitysystems@bosch.com  
www.boschsecurity.com

**Represented by**