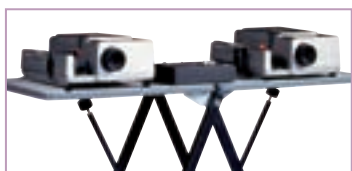




▲ **Stable and safe projector table with two shelves is suitable for LCD and/or slide projectors.**



Features

Sturdy projector table with adjustable feet for extra stability.

Upper shelf/shelves inclinable and can be folded.

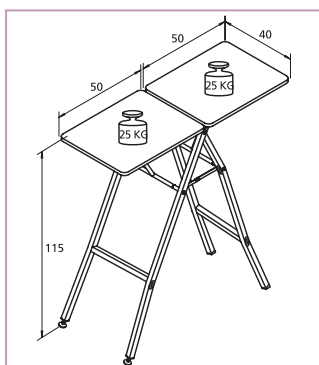
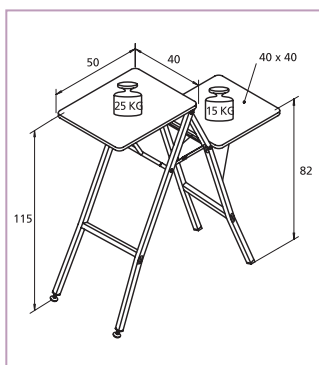
Simple and compact to fold.

Options

- ▶ Type I has one inclinable and fold-away upper shelf plus fold-away lower shelf and type II has two inclinable and fold-away upper shelves for two (slide) projectors.

Technical characteristics

- ▶ Sturdy steel frame, powder coated in dark grey (RAL 7021).
- ▶ Stylish easy-to-clean shelf/shelves in light grey (RAL 7035) with anti-slip top surface and a raised edge all around.
- ▶ Easy to assemble.



Type	Dark grey frame prod. code	Net weight in kg
Gigant I	11200036	10
Gigant II	11200037	11



▲ **Lightweight projector table with one shelf, easy to transport, and ideal for projection presentations at any desired location.**



Features

Four telescopic legs guarantee optimum stability.

Each leg is height adjustable and inclinable in every required position.

Practical plastic projector shelf with handle.

Telescopic legs can be screwed off, clamped under the shelf forming a small lightweight unit.

Options

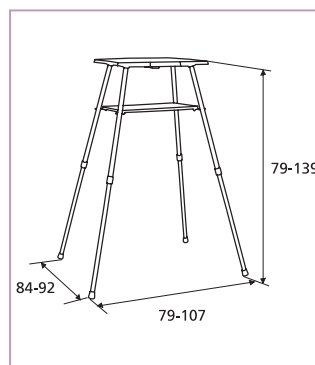
- ▶ Type I has a large upper shelf (65x45cm) and type II has a compact upper shelf (48x29cm).

Accessories

- ▶ Extra lower shelf.
11830001 light grey

Technical characteristics

- ▶ Aluminium, telescopic legs (min. 80 cm and max. 140 cm length).
- ▶ Durable easy-to-clean plastic shelf with anti-slip surface.
- ▶ Easy to assemble.



Type	Aluminium frame prod. code	Net weight in kg	Projector shelf size l x w cm	Projector shelf capacity in kg
TeleMaster I	11230083	6	64x45	20
TeleMaster II	11230085	5	48x29	20